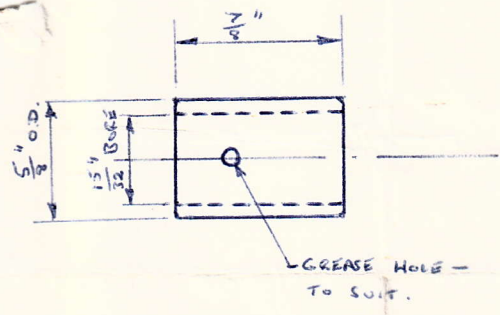


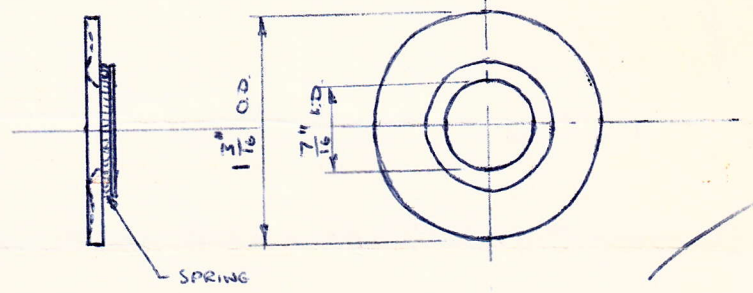
ITEM N^o 1 - SPINDLE

POSSIBLE MATERIAL - S'LESS STEEL



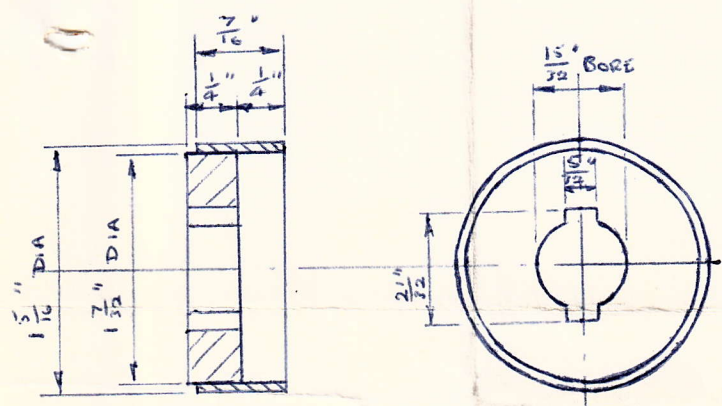
ITEM N^o 2 - BUSH

POSSIBLE MATERIAL - PHOSPHOR BRONZE



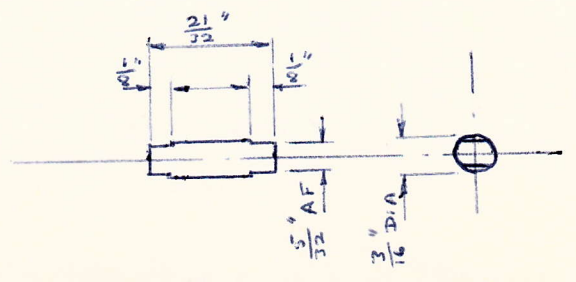
ITEM N^o 3 - GARTER SEAL

POSSIBLE MATERIALS - NEOPRENE WITH STEEL SPRING



ITEM N^o 4 - GLAND RING

POSSIBLE MATERIALS - CARBON WITH BRONZE OUTER RING



ITEM N^o 5 - GLAND RETAINING PIN.

POSSIBLE MATERIAL - PHOSPHOR BRONZE

1938 M.G. S.A. - WATER PUMP

SKETCH OF PARTS REQUIRED -

1 - OFF EACH ITEM.

R. H. HARRISON
34, CARSICK VIEW ROAD,
SHEFFIELD, 10.