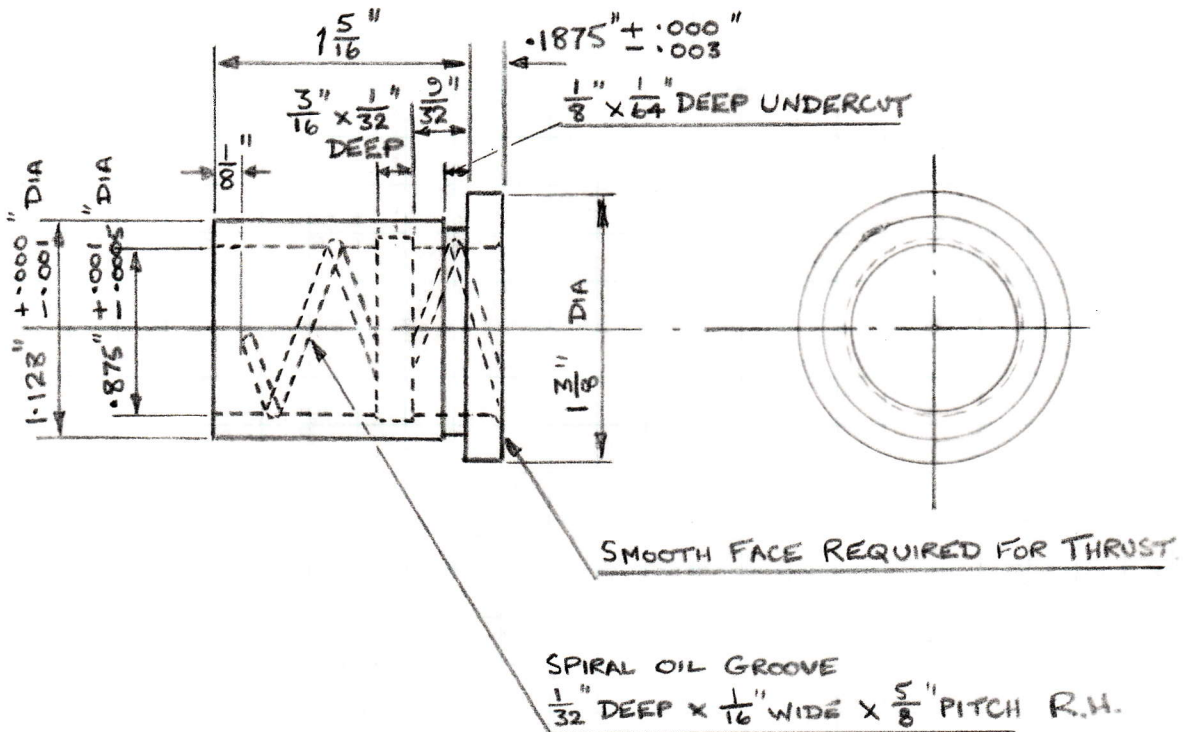
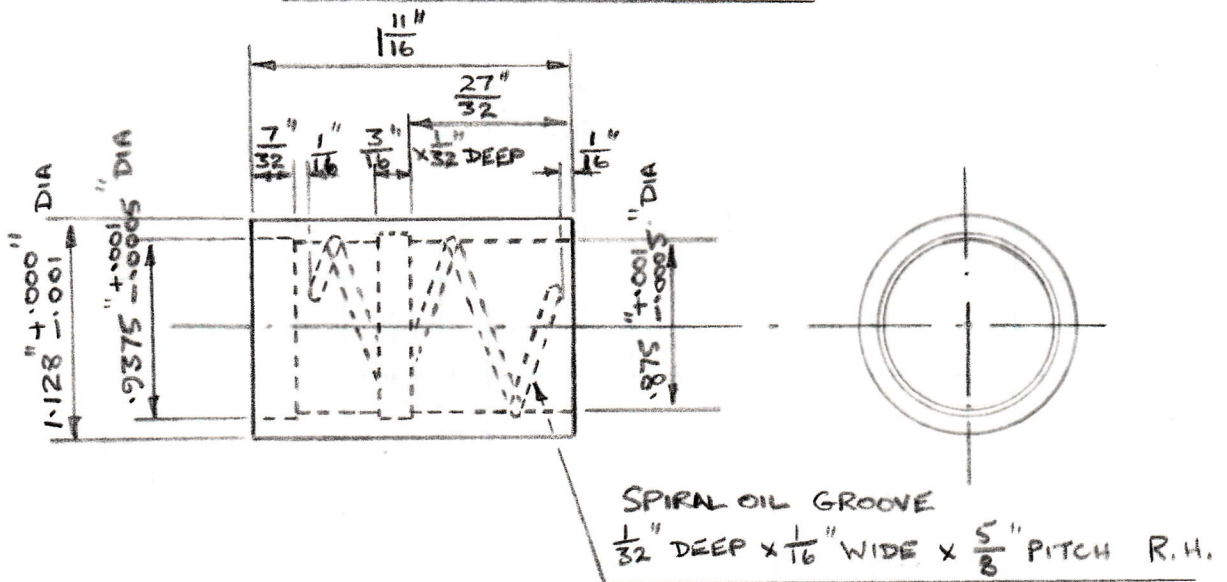


BREAK SHARP CORNERS



ITEM ② - UPPER BUSH.



ITEM ③ - LOWER BUSH

ITEMS ② & ③ - 2 OFF EACH PER SET  
MATERIAL - DELTA IV

ADMEL 3641

No.	SVW/005	MADE BY	DATE	31/3/69				R.H.H.
DAVY-ASHMORE		DAVY AND UNITED ENGINEERING COMPANY LIMITED			SHEET No.		OF	
		SHEFFIELD AND GLASGOW			2		2	